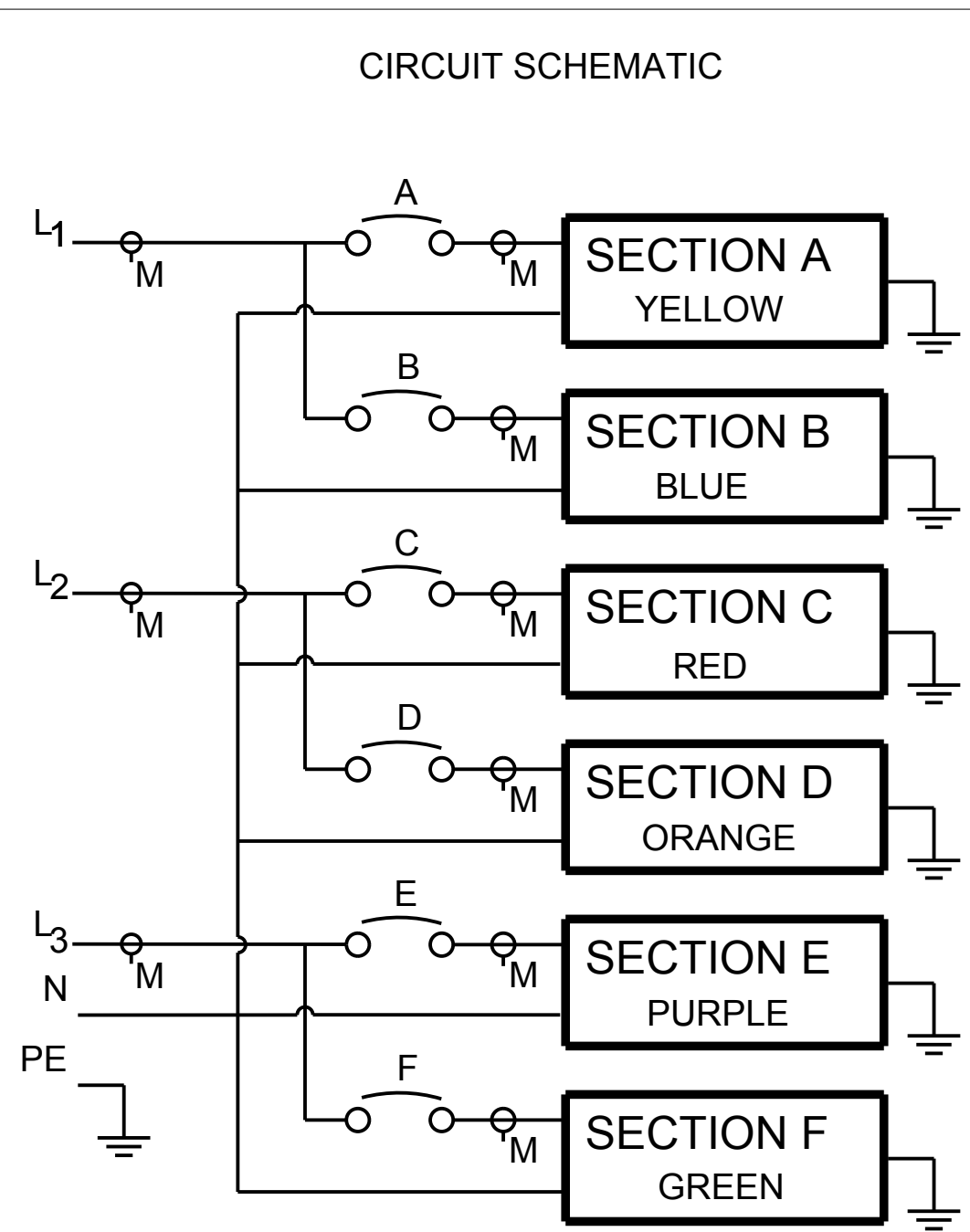
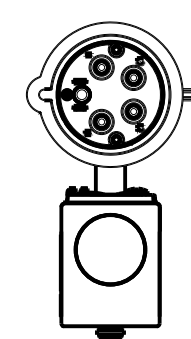
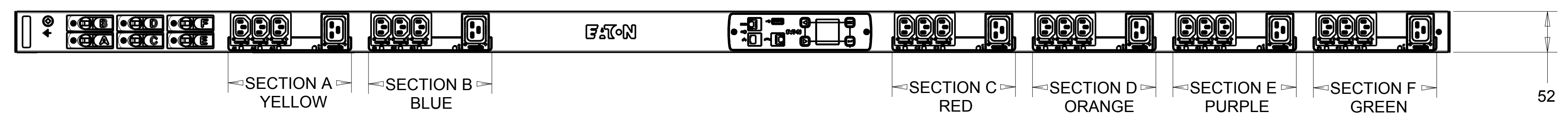
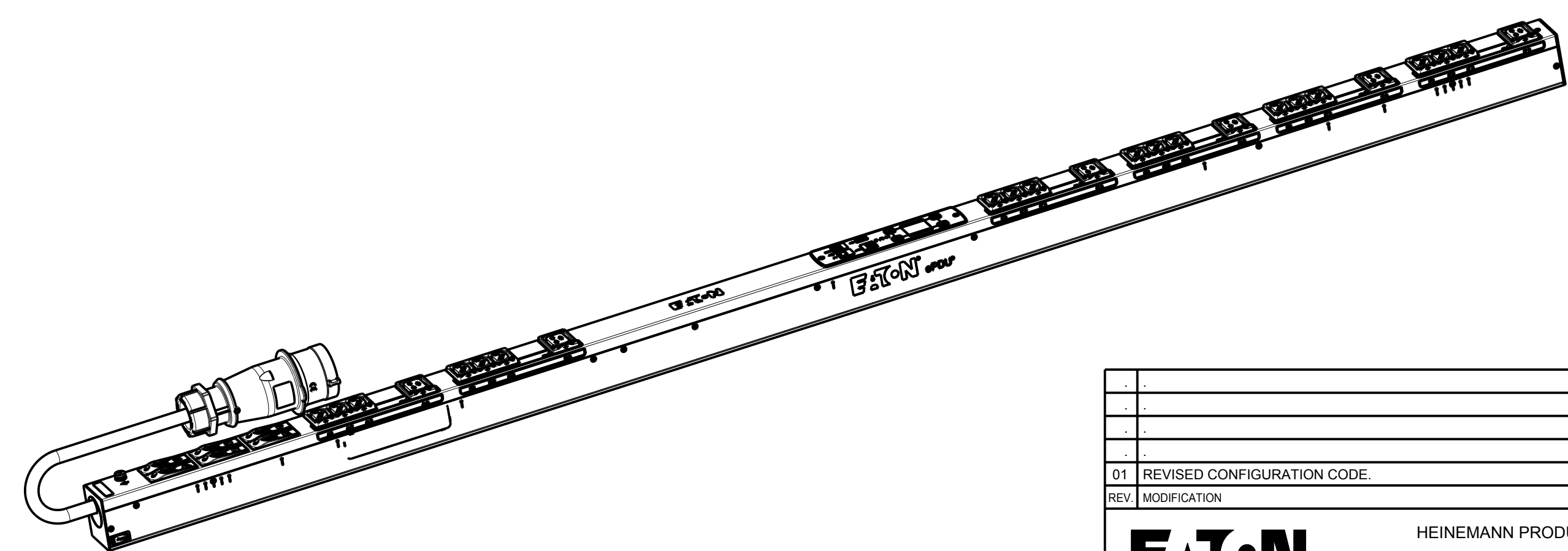


CABLE LENGTH SHOWN NOT TO SCALE



EMAB33 G3 MANAGED

FUNCTIONALITY	INPUT	OUTPUT	ENVIRONMENTAL
CURRENT POWER AND ENERGY METERING FOR INPUT, BRANCH AND OUTLETS. INDIVIDUAL OUTLET CONTROL	IEC 60309-2 32A 400V~ WYE, 3W+N+PE 4.0MM HO7 POWER CORD CABLE LENGTH: 3.0M	(18) IEC 60320 C13 GRIP (6) IEC 60320 C19 GRIP	0 TO 60 °C
MECHANICAL	INPUT RATING	OUTPUT RATING	CERTIFICATIONS
LENGTH: 1829MM WIDTH: 52 MM DEPTH: 65MM ALUMINIUM CHASSIS, BLACK MNT PATTERN SK-23919-Y1	3Ø;346-415V~; WYE, 3W+N+PE 50/60HZ 32A	200-240V~;50/60HZ 10A PER C13;16A PER C19 16A MAX PER SECTION 32A MAX PER PHASE	CE, CB
CIRCUIT BREAKERS	FILTER AND SPIKE/SURGE	ACCESSORIES	CONFIGURATION
(6) 16A 1-POLE	NONE	STANDARD KSP015 - VERT INSTALL NETWORK PACK OPTIONAL EMP001 - ENVIRONMENTAL PROBE	EMA3DH8FBJW8BCM



SCALE 0.188

01 REVISED CONFIGURATION CODE.		03.11.2014	G.McD.	M.B.
REV. MODIFICATION	DATE	DESIGNER	VERIF.	
EATON		HEINEMANN PRODUCTS	VUE/VIEW EUROPE: 4/10	N° MAG: EMAB33
CH-1345 LE LIEU SWITZERLAND		DESSEINE LE / DRAWED THE: 20.08.2014	PAR / BY: G.McD.	
TOLERANCE GENERALE / GENERAL TOLERANCE		VERIFIE PAR / VERIFIED BY: M.B.		
TRAITEMENT / FINISH: NA	MATIERE / MATERIAL: NA	NIVEAU DU CERTIFICAT DE SOUMISSION REQUIS / SAMPLES APPROVAL PROCESS REPORT: X		
DIMENSIONS AND TOLERANCES IN MILLIMETERS		DESIGNATION: EPDU MA 0U (309 32A 3P)18XC13.6XC19		
COTES A CONTROLER / INSPECTION DIMENSIONS: XX.XX		COTES FONCTIONNELLES / FUNCTIONAL DIMENSIONS: # XX.XX		NUMERO DU PLAN / PLAN NUMBER: SK-40719-Y1
Ce document est propriété de Eaton Industries Manufacturing GmbH. Duplication interdite sans autorisation.		This document is Eaton Industries Manufacturing GmbH property. Duplication forbidden without authorization.		