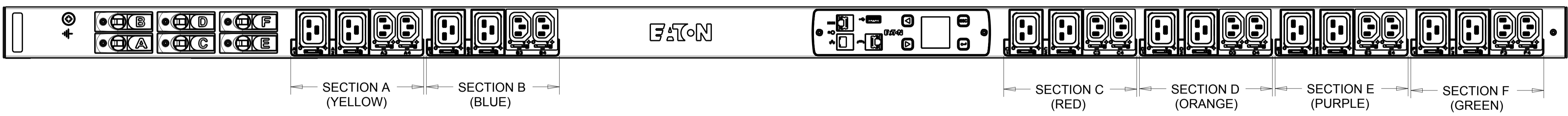
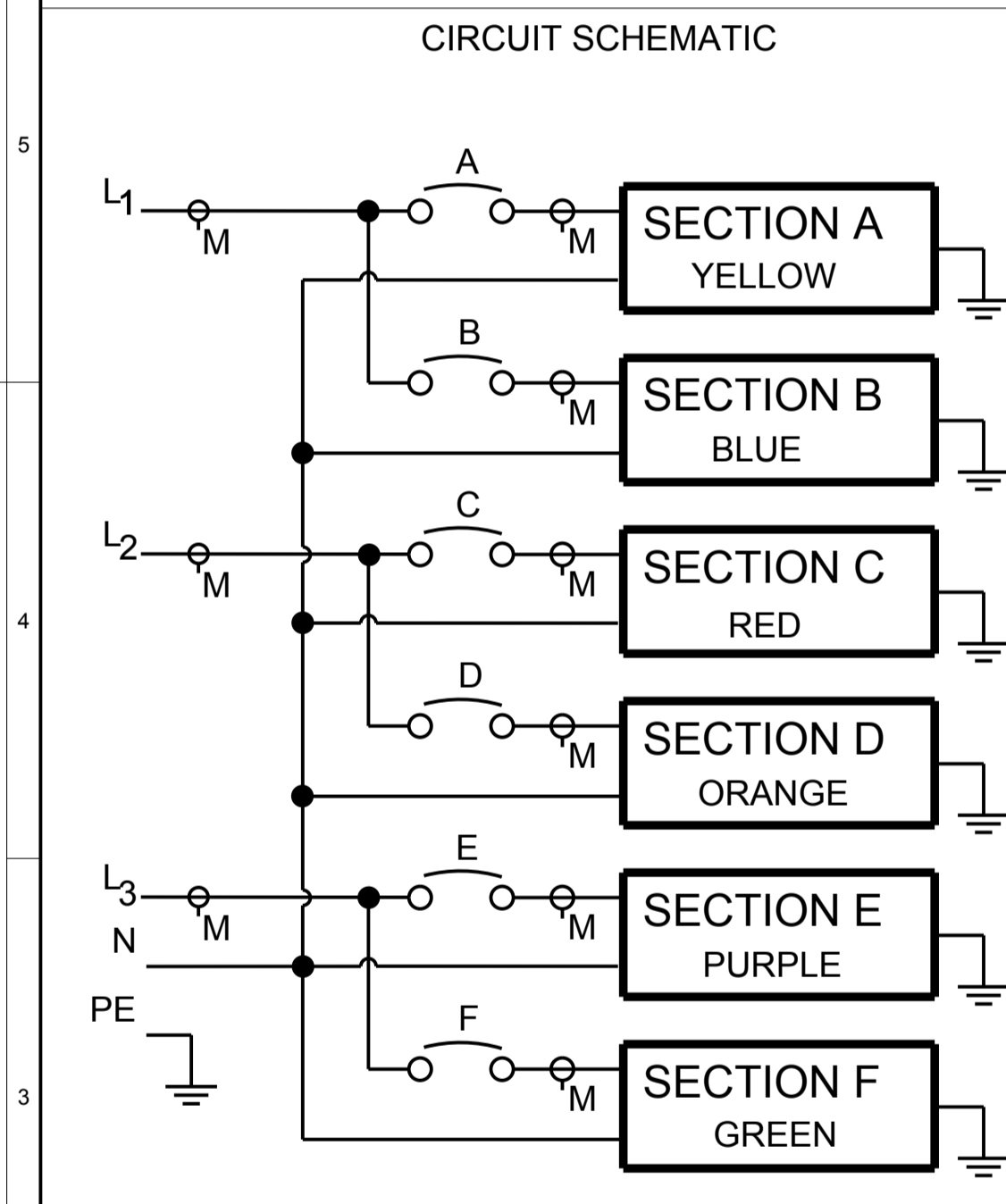
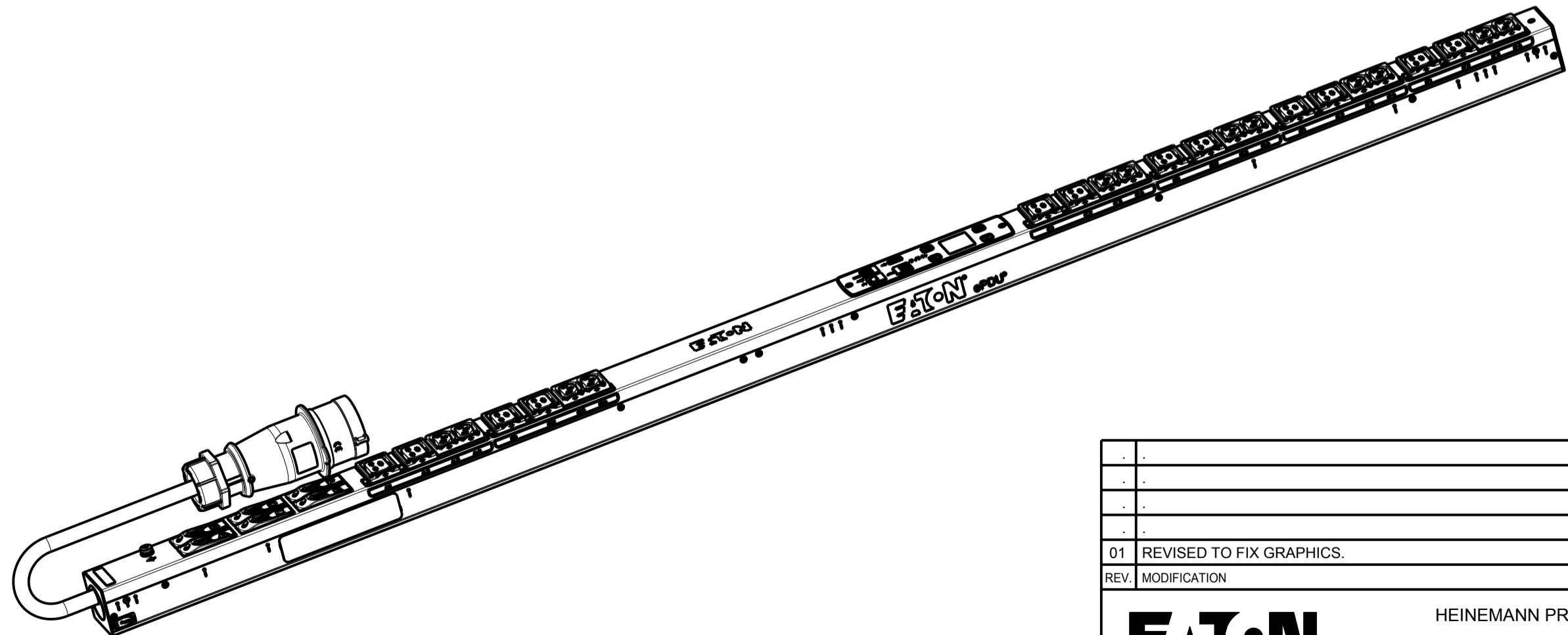


CABLE LENGTH SHOWN NOT TO SCALE



EMIB12		G3 METERED INPUT	
FUNCTIONALITY	INPUT	OUTPUT	ENVIRONMENTAL
CURRENT POWER AND ENERGY METERING FOR INPUT AND BRANCH	IEC 60309-2 32A 400V~ WYE, 3W+N+PE 4.0MM HO7 POWER CORD CABLE LENGTH: 3.0M	(12) IEC 60320 C13 GRIP (12) IEC 60320 C19 GRIP	0 TO 60 °C
MECHANICAL	INPUT RATING	OUTPUT RATING	CERTIFICATIONS
LENGTH: 1604MM WIDTH: 52 MM DEPTH: 53MM ALUMINIUM CHASSIS, BLACK MNT PATTERN SK-23919-Y1	3Ø;346-415V~; WYE, 3W+N+PE 50/60HZ 32A	200-240V~;50/60HZ 10A PER C13;16A PER C19 16A MAX PER SECTION 32A MAX TOTAL	CE, CB
CIRCUIT BREAKERS	FILTER AND SPIKE/SURGE	ACCESSORIES	CONFIGURATION
(6) 16A 1-POLE	NONE	STANDARD KSP015 - VERT INSTALLATION AND NETWORK PACK OPTIONAL EMP001 - ENVIRONMENTAL PROBE	EMI3DH8FBJF77AM



PICTORIAL VIEW  
SCALE 0.200

01 REVISED TO FIX GRAPHICS.		21.05.2014	G.McD.	M.B.
REV	MODIFICATION	DATE	DESIGNER	VERIF
EATON		HEINEMANN PRODUCTS		VUE/VIEW EUROPE: 4/10
CH-1345 LE LIEU SWITZERLAND		DESIGNEE LE / DRAWN THE		21.02.2014
TRAITEMENT / FINISH NA		VERIFIE PAR / VERIFIED BY		M.B.
MATIERE / MATERIAL NA		NIVEAU DU CERTIFICAT DE SOUMISSION REQUIS / SAMPLES APPROVAL PROCESS REPORT		X
DIMENSIONS AND TOLERANCES IN MILLIMETERS		DESIGNATION		EPDU MI 0U (3Ø9 32A 3P)12XC13:12XC19
COTES A CONTROLER INSPECTION DIMENSIONS		COTES FONCTIONNELLES FUNCTIONAL DIMENSIONS		# XX.XX
NUMERO DU PLAN PLAN NUMBER		SK-30719-Y1		01
Ce document est propriété de Eaton Industries Manufacturing GmbH. Duplication interdite sans autorisation. This document is Eaton Industries Manufacturing GmbH property. Duplication forbidden without authorization.				